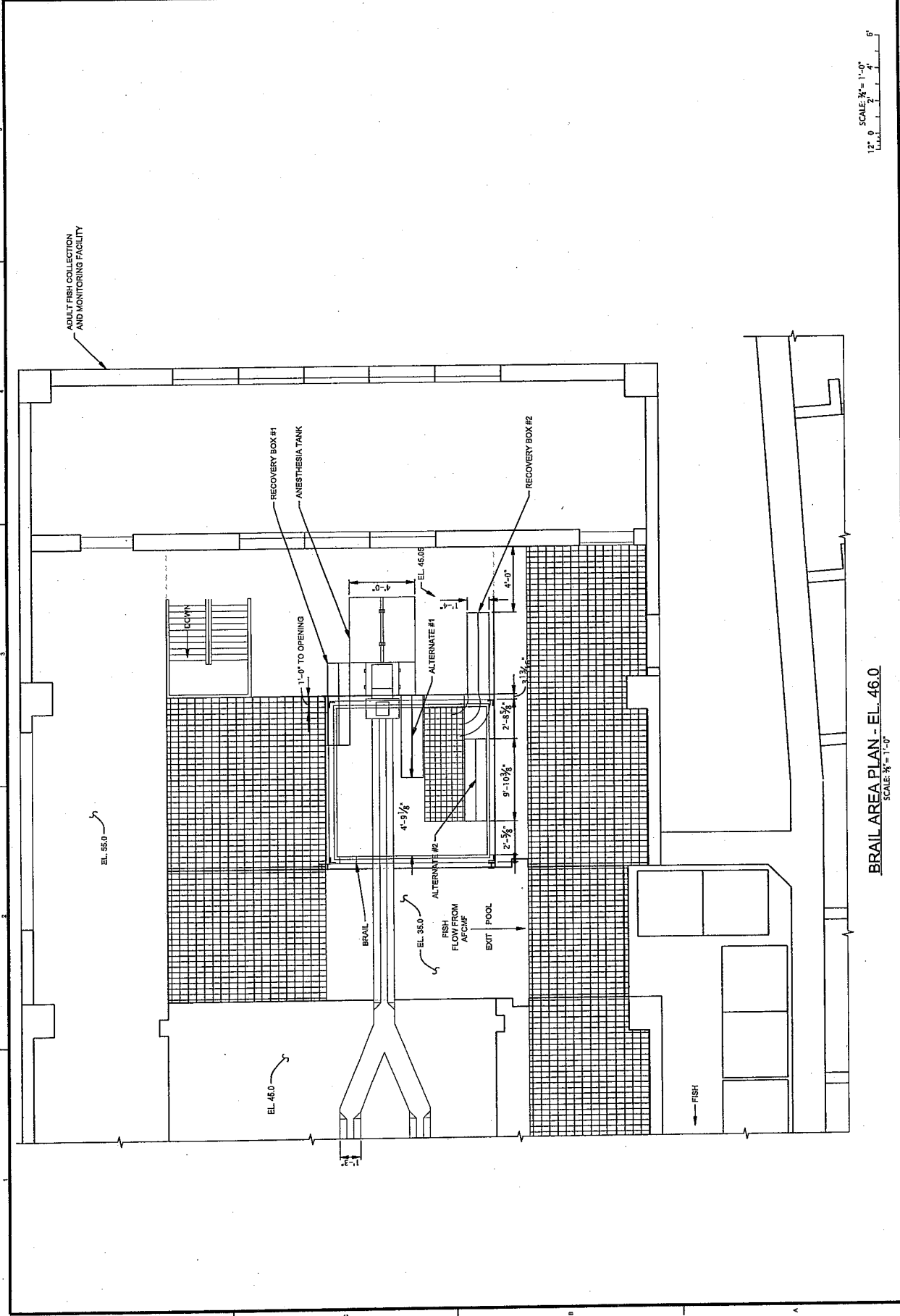
 US Army Corps of Engineers	BCOE REVIEW	DATE: _____ DRAWN BY: _____ CHECKED BY: _____ PROJECT NO.: _____ DRAWING NO.: _____ SHEET NO.: _____	SHEET IDENTIFICATION PAGE 8 OF 8
---	-------------	---	-------------------------------------

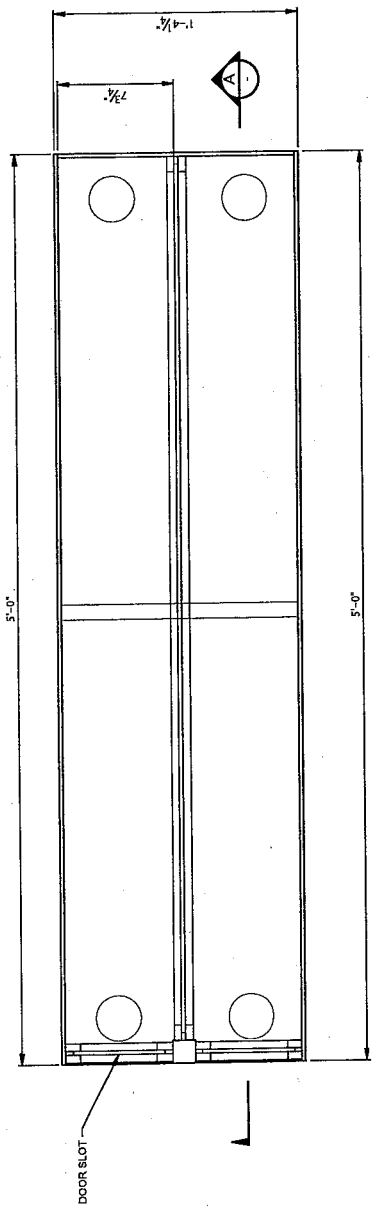


SCALE: 1" = 1'-0"
 1" 2" 4" 6"

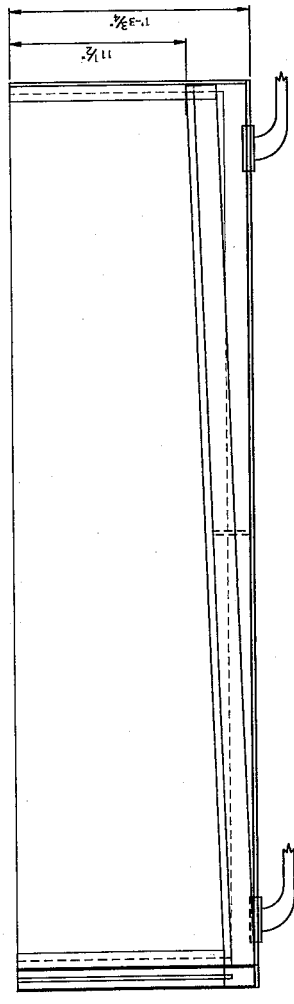
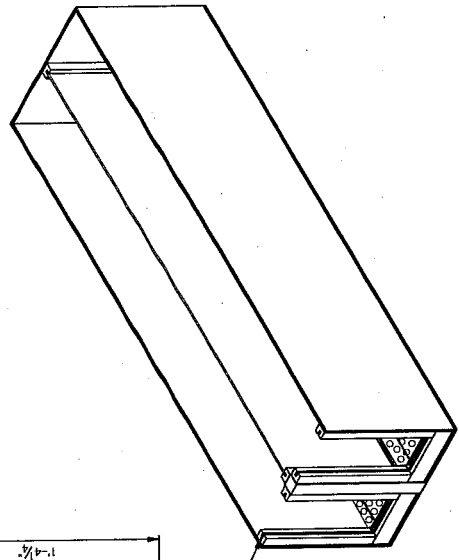
BRAIL AREA PLAN - EL. 46.0
 SCALE: 1" = 1'-0"

DRAWING PLOT SIZE: ANSB | DATE AND TIME PLOTTED: 08/02/2017 10:53:57 AM | SHEET NAME: 08080101 | BY: 08080101

U.S. Army Corps PORTLAND DISTRICT	DATE: _____ ASYR: _____	30% REVIEW	NAME: _____ TITLE: _____ OFFICE: _____ PROJECT NO.: _____ DRAWING NO.: _____ CONTRACT NO.: _____ CONTRACT NAME: _____ DATE: _____ DRAWN BY: _____ CHECKED BY: _____ DESIGNED BY: _____ U.S. ARMY CORPS OF ENGINEERS PORTLAND DISTRICT PORTLAND, OR	BONNEVILLE LOCK AND DAM ADULT FISH FACILITY IMPROVEMENTS RECOVERY BOX DETAILS	SHEET IDENTIFICATION M-007 PART 3 OF 3
--------------------------------------	----------------------------	------------	---	---	---




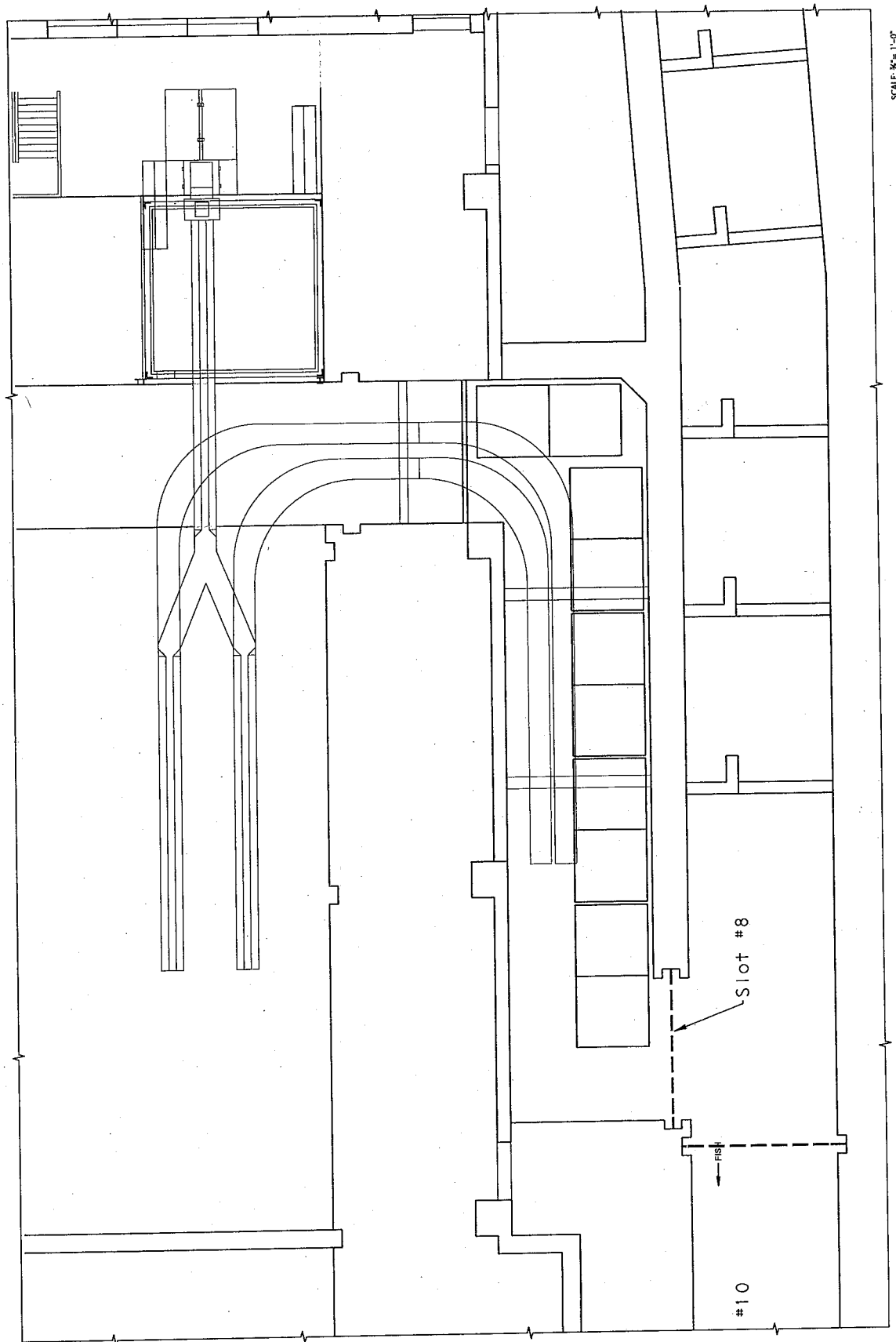
TOP VIEW
 SCALE: 3/8" = 1'-0"



SCALE: 3/8" = 1'-0"
 0 1 2 3 4 5 6 7 8 9 10 11 12

DRAWING NOT TO SCALE: ANS-B
 DATE AND TIME PLOTTED: 11/27/2014 11:27:45 AM
 BY: CBERVOISE (65522) 0
 SHEET TITLE: Section A

 US Army Corps of Engineers Civil Engineering	DATE: _____ DRAWN BY: _____ CHECKED BY: _____ SCALE: _____ SHEET NO. _____ OF _____	PROJECT NO.: _____ CONTRACT NO.: _____ DRAWING NO.: _____ DATE: _____ SCALE: _____ SHEET NO. _____ OF _____	SHEET IDENTIFICATION NO. 8 OF 8
	<h1>BOOE REVIEW</h1>		



12" 0 SCALE: 3/8" = 1'-0"
 1" 0 SCALE: 1/4" = 1'-0"

RETURN PIPE PLAN
 SCALE: 3/8" = 1'-0"

DATE AND TIME PLOTTED: 11/28/03 11:58:47 AM
 BY: (REVENUE) (660000) (0)
 SHEET NAME: Sheet 08.rvt
 DRAWING FILE SIZE: 455 KB